

# SPECIFICATIONS

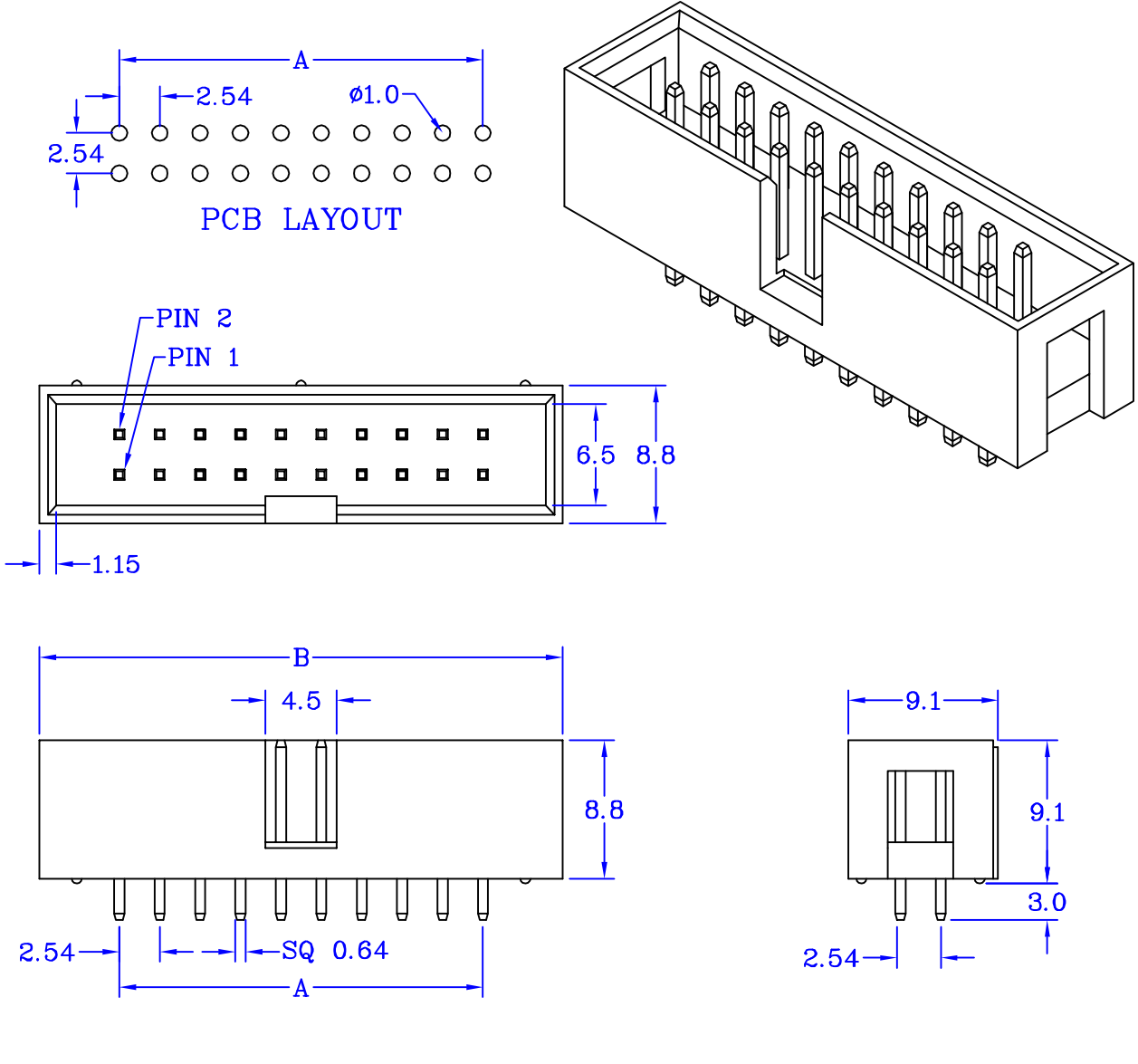
## ELECTRICAL

- Contact Current Rating : 3 Amperes
- Contact Resistance : 20 mΩ Max
- Insulator Resistance : 5,000 MΩ Min
- Dielectric Withstanding Voltage : 1,000V AC RMS 1 Min

## MATERIAL

- Insulator : PBT , UL 94V-0 , Color/Blue
- Contact : Brass
- Contact Plated : Gold Plated (Standard) 、 Tin Plated  
Selective Plated

Operation Temperature : - 40°C to + 85°C



| CONTACTS | DIMENSION |       |
|----------|-----------|-------|
|          | A         | B     |
| 06       | 5.08      | 15.22 |
| 08       | 7.62      | 17.76 |
| 10       | 10.16     | 20.30 |
| 12       | 12.70     | 22.84 |
| 14       | 15.24     | 25.38 |
| 16       | 17.78     | 27.92 |
| 18       | 20.32     | 30.46 |
| 20       | 22.86     | 33.00 |
| 24       | 27.94     | 38.08 |
| 26       | 30.48     | 40.62 |
| 30       | 35.56     | 45.70 |
| 34       | 40.64     | 50.78 |
| 40       | 48.26     | 58.40 |
| 44       | 53.34     | 63.48 |
| 50       | 60.96     | 71.10 |
| 60       | 73.66     | 83.80 |
| 64       | 78.74     | 88.88 |

UNIT: mm