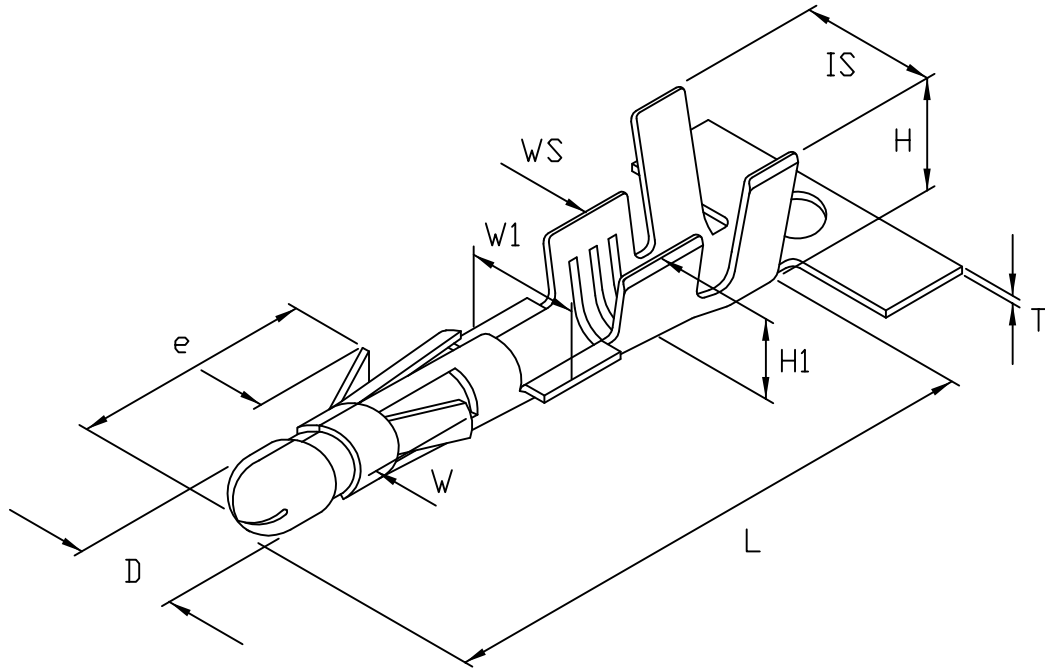


成品製造管制圖

DRAWING OF FINISHED PRODUCTS

禁止使用1級環境管理物質  
Non-use Warranty for Level 1  
Prohibited Substances in Product.

Type/Pich	2.36φ
形式/間距	公端子



產品編號 Part No: MCN-3102-0004  
品名 Product: 端子 TERMINAL  
材質 Material: Brass  
材料厚度 Thickness: 0.25mm  
包裝數量 Standard Packing: 3500PCS  
適用電線 Suitable Wire: 14~18AWG=15A

DIMENSION:(MM)

T:0.25 ± 0.03  
L:22.3 ± 0.35  
IS:5.0 ± 0.35  
WS:3.3 ± 0.35  
H:4.8 ± 0.35  
H1:3.2 ± 0.35  
H2:1.2 ± 0.25  
D:φ2.25 ± 0.1  
W:4.4 ± 0.3  
W1:3.6 ± 0.25  
e:8.6 ± 0.35

表面處理 Treatment: -0 無表面處理, -00 鍍金, -1 鍍鎳, -2 鍍錫  
(-0 Non surface treatment  
, -00 Gold flash, -1 Nickel played, -2 Tin plated)

\* 本成品圖僅供參考, 若需做為承認用請聯絡就近業務員確認  
(The drawing is for reference only,  
please contact the sales division nearby for final confirmation if it's for approval purpose.)