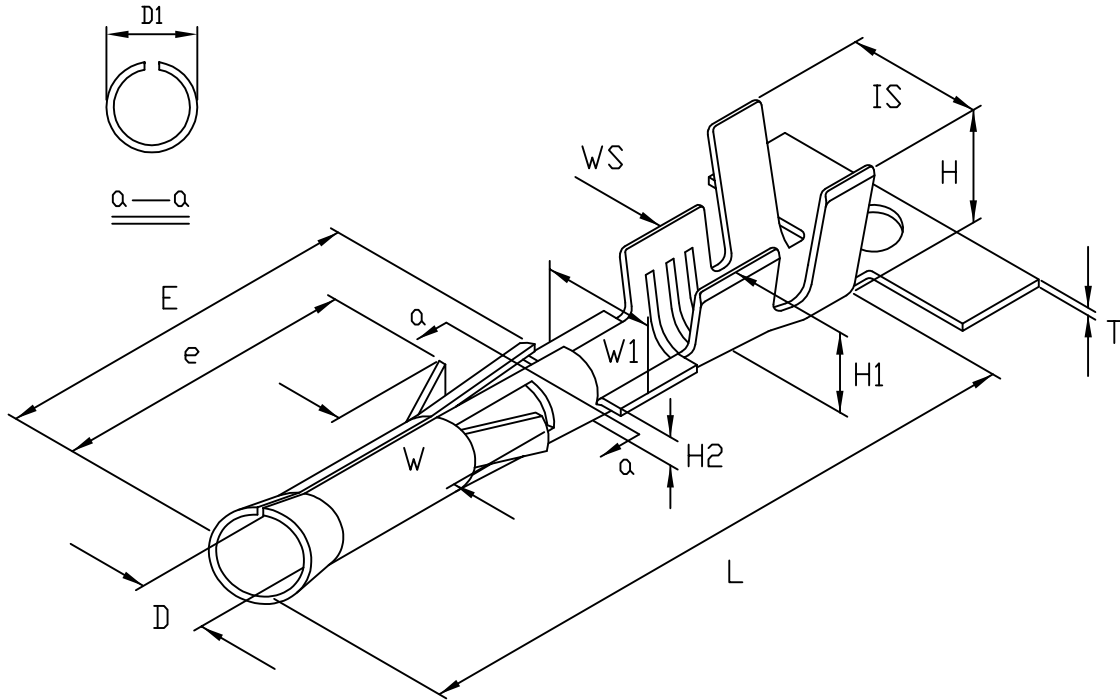


成品製造管制圖

DRAWING OF FINISHED PRODUCTS

禁止使用1級環境管理物質  
Non-use Warranty for Level 1  
Prohibited Substances in Product.

Type/Pich	2.36φ
形式/間距	母端子



產品編號 Part No: MCN-3101-0008  
品名 Product: 端子 TERMINAL  
材質 Material: Brass  
材料厚度 Thickness: 0.25mm  
包裝數量 Standard Packing: 3500PCS  
適用電線 Suitable Wire: 14~18AWG=15A

DIMENSION:(MM)

T:0.25 ± 0.03

L:22.0 ± 0.3

E:11.2 ± 0.4

IS:4.9 ± 0.3

WS:3.3 ± 0.3

H:4.7 ± 0.25

H1:3.1 ± 0.25

H2:1.2 ± 0.25

W:4.2 ± 0.3

W1:3.6 ± 0.25

D:φ2.25 ± 0.15

D1:3.1 ± 0.1

e:8.4 ± 0.25

表面處理 Treatment: -0 無表面處理, -00 鍍金, -1 鍍鎳, -2 鍍錫  
(-0 Non surface treatment  
, -00 Gold flash, -1 Nickel played, -2 Tin plated)

\* 本成品圖僅供參考, 若需做為承認用請聯絡就近業務員確認

(The drawing is for reference only,  
please contact the sales division nearby for final confirmation if it's for approval purpose.)