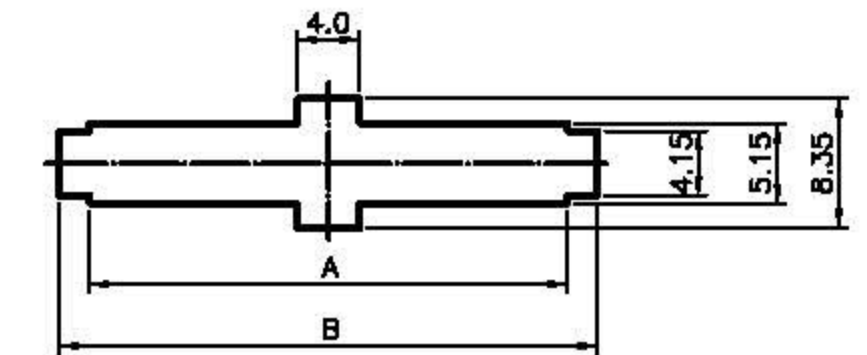


■ SPECIFICATIONS

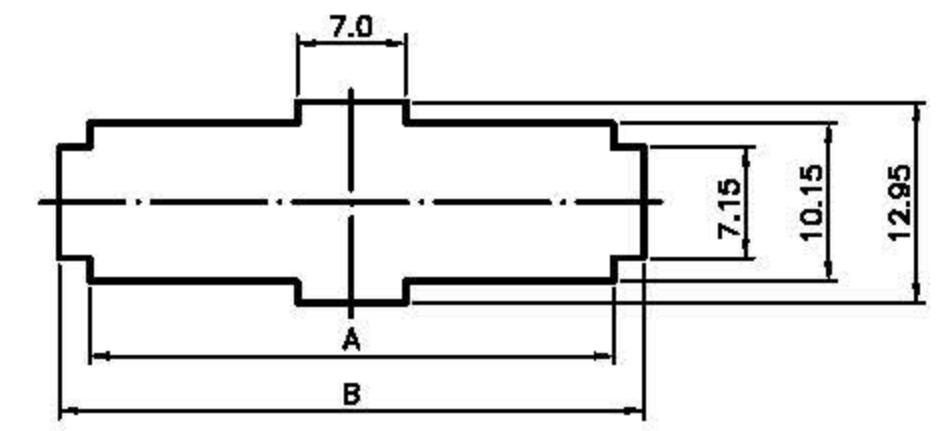
- Voltage Rating : 250V AC/DC
- Current Rating : 3A AC/DC
- Withstanding Voltage : 1000V AC/minute
- Insulation Resistance : 500MΩ min
- Temperature Range : - 25°C to + 85°C

■ PLUG HOUSING

- Poles : 2-12 (Single Row) ; 16~18(Double Row)
- Material : Nylon 66 UL94V-0
- Q' ty : 1000 pcs./Bag



2~12 Circuit (Single Row)



16~18 Circuit (Double Row)

Circuit	Dim/mm		Circuit	Dim/mm	
	A	B		A	B
2	5.7	9.6	9	23.2	27.1
3	8.2	12.1	10	25.7	29.6
4	10.7	14.6	11	28.2	32.1
5	13.2	17.1	12	30.7	34.6
6	15.7	19.6	16	20.7	24.6
7	18.2	22.1	18	23.2	27.2
8	20.7	24.6			

PART NO	MCN-1009-0019	APPROVED BY	SCALE	UNIT	TOLERANCE	LTR	REVISION RECORD	DATE	LTR	REVISION RECORD	DATE
		CHECKED BY	PROJ	VER NO.	.0	±0.3	ECR	RoHS Compliant	06/04/01		
#2.50mm Power Connectors Plug Housing(Single Row & Double Row)				α3	.00	±0.2	ECR	200504-002	05/04/18		
		DRAWN BY	DATE	SIZE	.000	±0.1	ECR	200804-031	08/04/30		
				A4	ALL	±					
					ANGLE				CUSTOMER		
					0°	±					
					.0°	±					Conforms to The RoHS Instruction