

\* ROHS COMPLIANT

NOTES:

MATERIAL:

- 1.CONTACT: COPPER ALLOY
- 2.PLATING: SELECTIVE AU ON MATING AREA,TIN ON SOLDER ARER;
- 3.HOUSING: LCP

MECHANICAL:

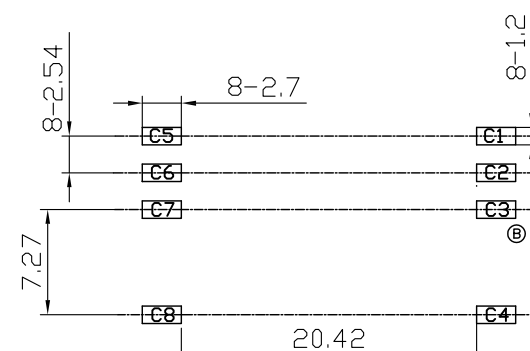
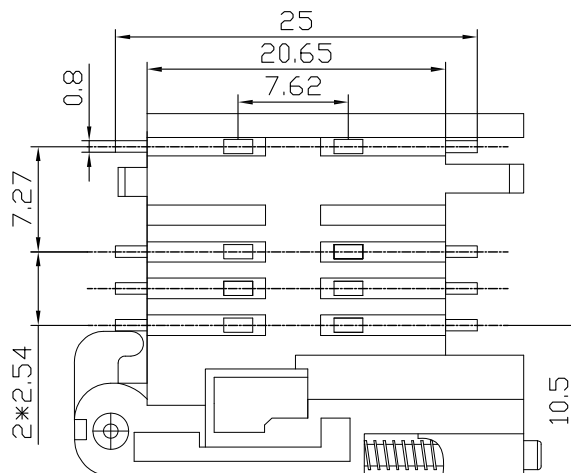
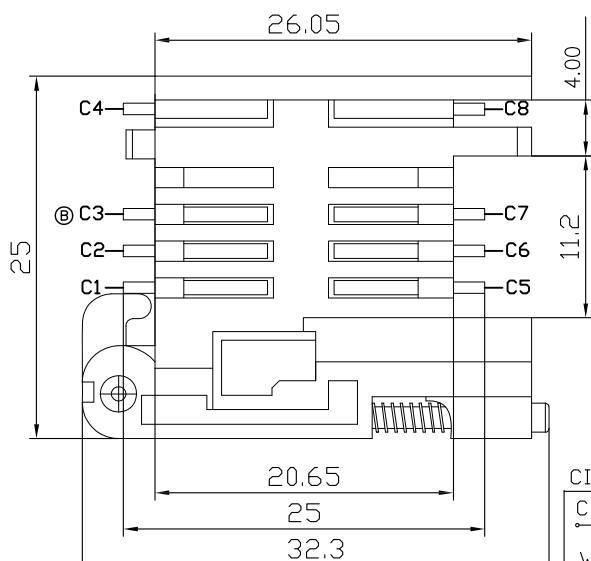
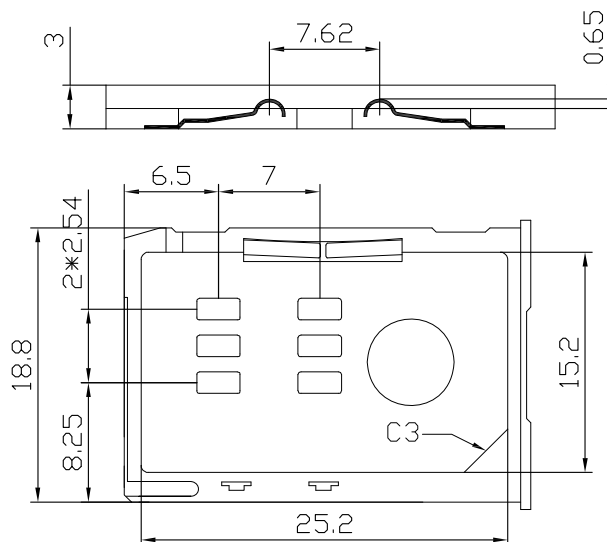
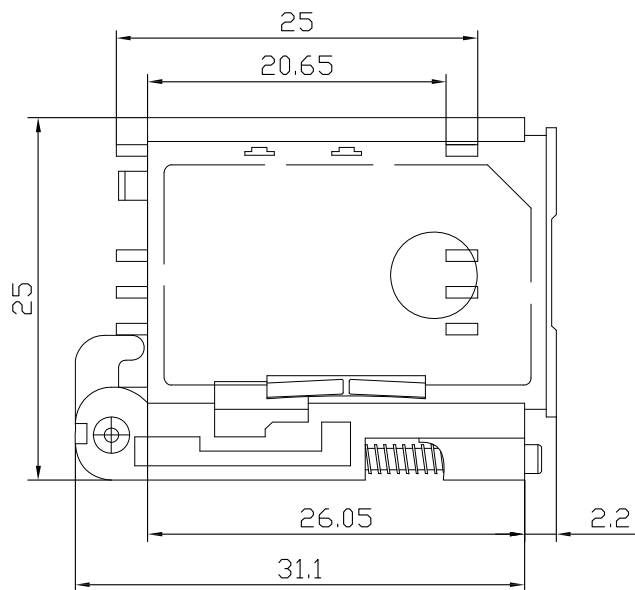
- 1.PIN COUNT: 8PIN
- 2.DURABILITY: 5000 CYCLES;
- 3.INSERTION FORCE: 1.5KGF MAX.
- 4.EXTRACTION FORCE: 2KGF MIN.
- 5.CONTACT NORMAL FORCE: 0.2KG~0.6KGF

ELECTRICAL

- 1.INSULATION RESISTANCE: 1000MΩ MIN.
- 2.CONTACT RESISTANCE: 100mQMAX
- 3.CD FUNCTION: NORMALLY OPEN

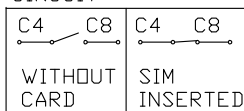
ENVIRONMENT

- 1.OPERATION TEMPERATURE: -40°C~+85°C
- 2.SOLDER CONDITION: 260°C 5S
- 3.HUMIDITY: 40°C , 90%~96% , 48H;
- 4.SALT SPRAY: 5% NaCl, 35°C 8H;



RECOMMENDED PCB LAYOUT  
TOLERANCE: ± 0.05

⑧ CIRCUIT:



PIN NO.	PIN NAME
C1	Supply Voltage Vcc
C2	Reset (RST)
C3	Clock (CLK)
C4	N/A
C5	Ground
C6	Programming Voltage Vpp
C7	I/O
C8	N/A

DIMENSIONS INIT: mm	
UNLESS OTHERWISE SPECIFIABLE	
DIMENSION	TOLERANCE
X.X: ±	0.25
X.XX: ±	0.10
X.XXX: ±	0.10
ANGULAR: ±	1°

PRODUCT NAME : ALL PLASTIC SIM PUSH PUSH	DRAWING:	DATE: 2016/04/27
PRODUCT NO. :	CHECK:	DATE: 2016/04/27
DRAWING NO. :	APPROVED:	DATE: 2016/04/27
SCALE: NA	DWG ID: P D	REV.: B
PAGE: 1 OF 1		

B	REVISION NO.	ECR NO.	DESCRIPTION	MARK	DATE
1					
2					
3					
4					
5					
6					