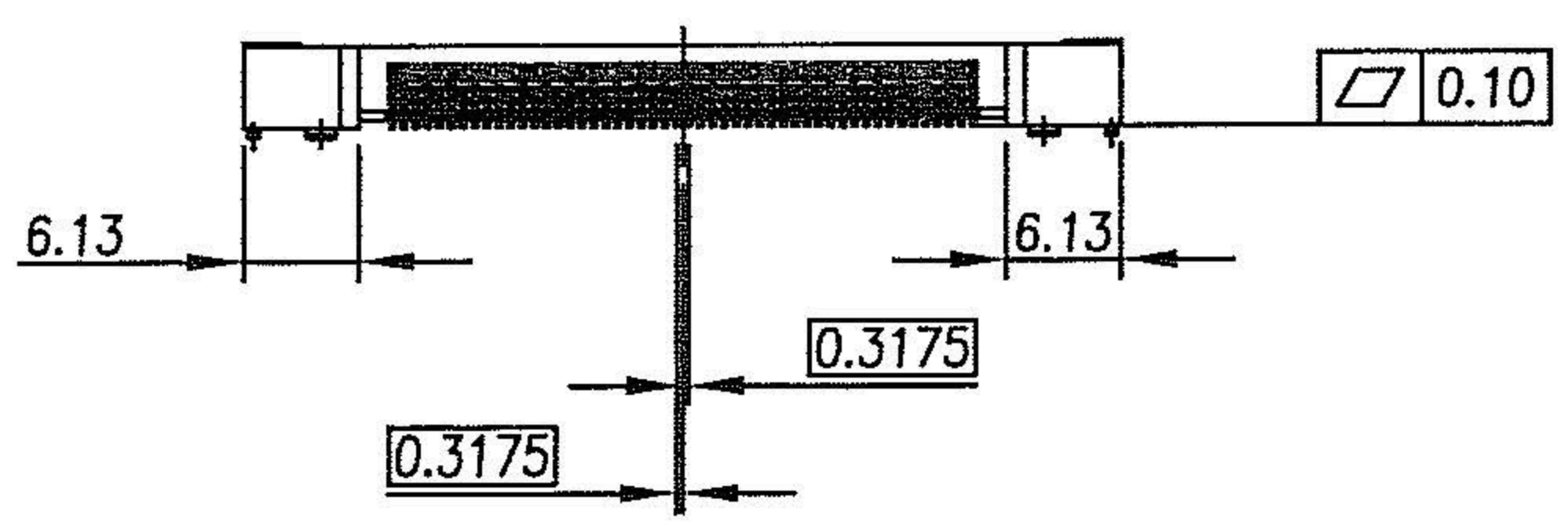
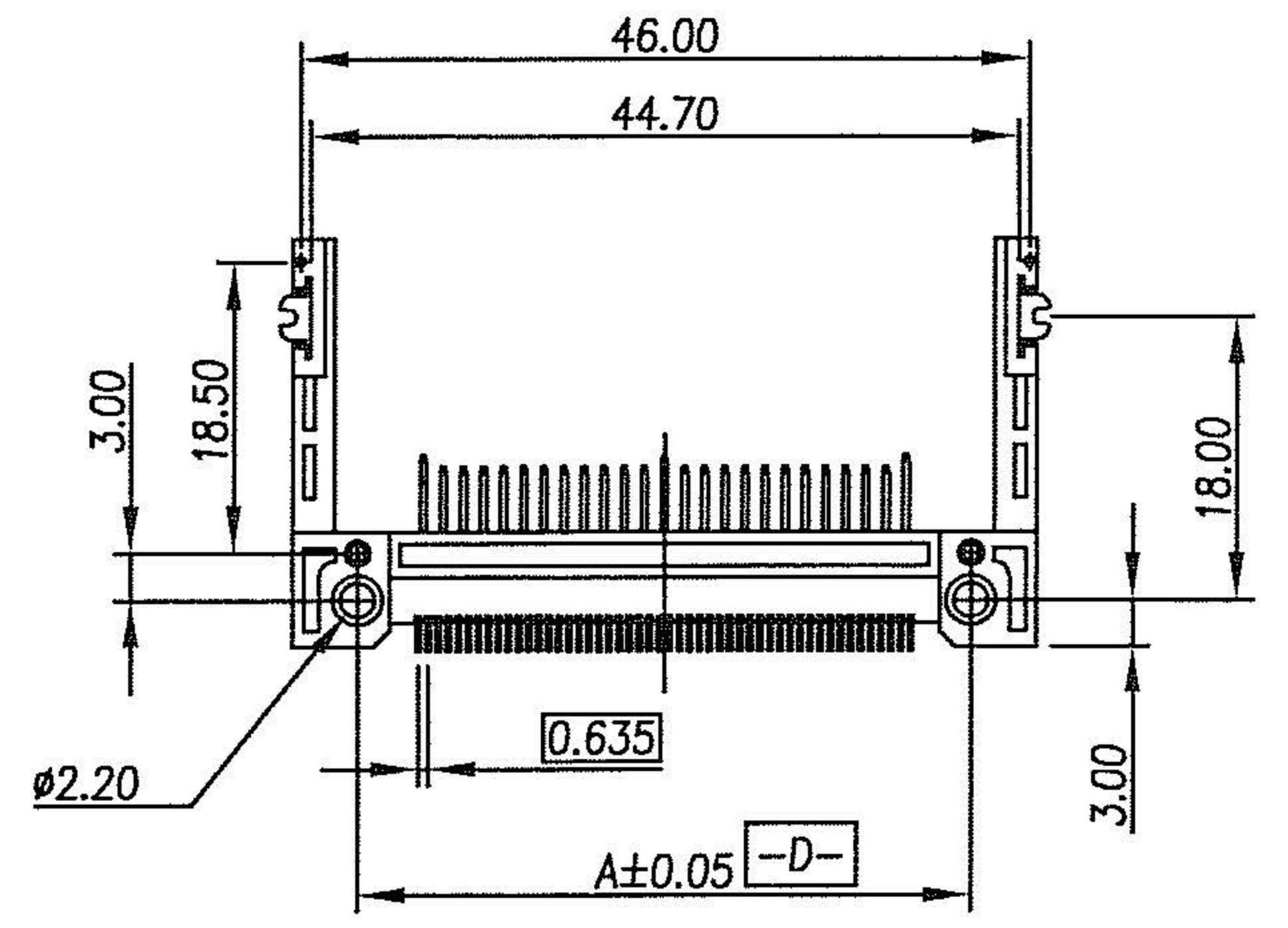
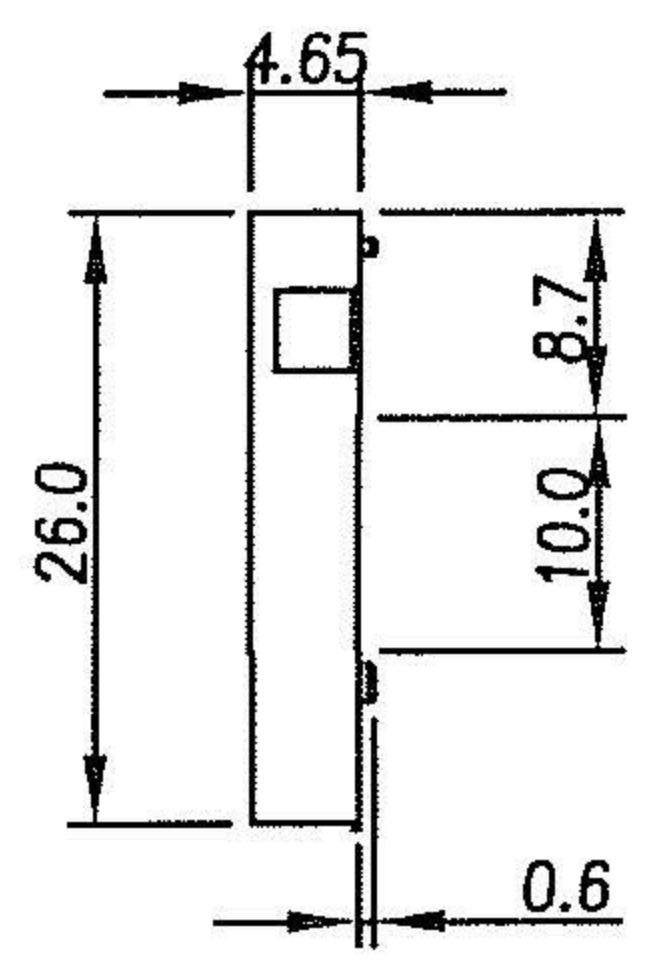
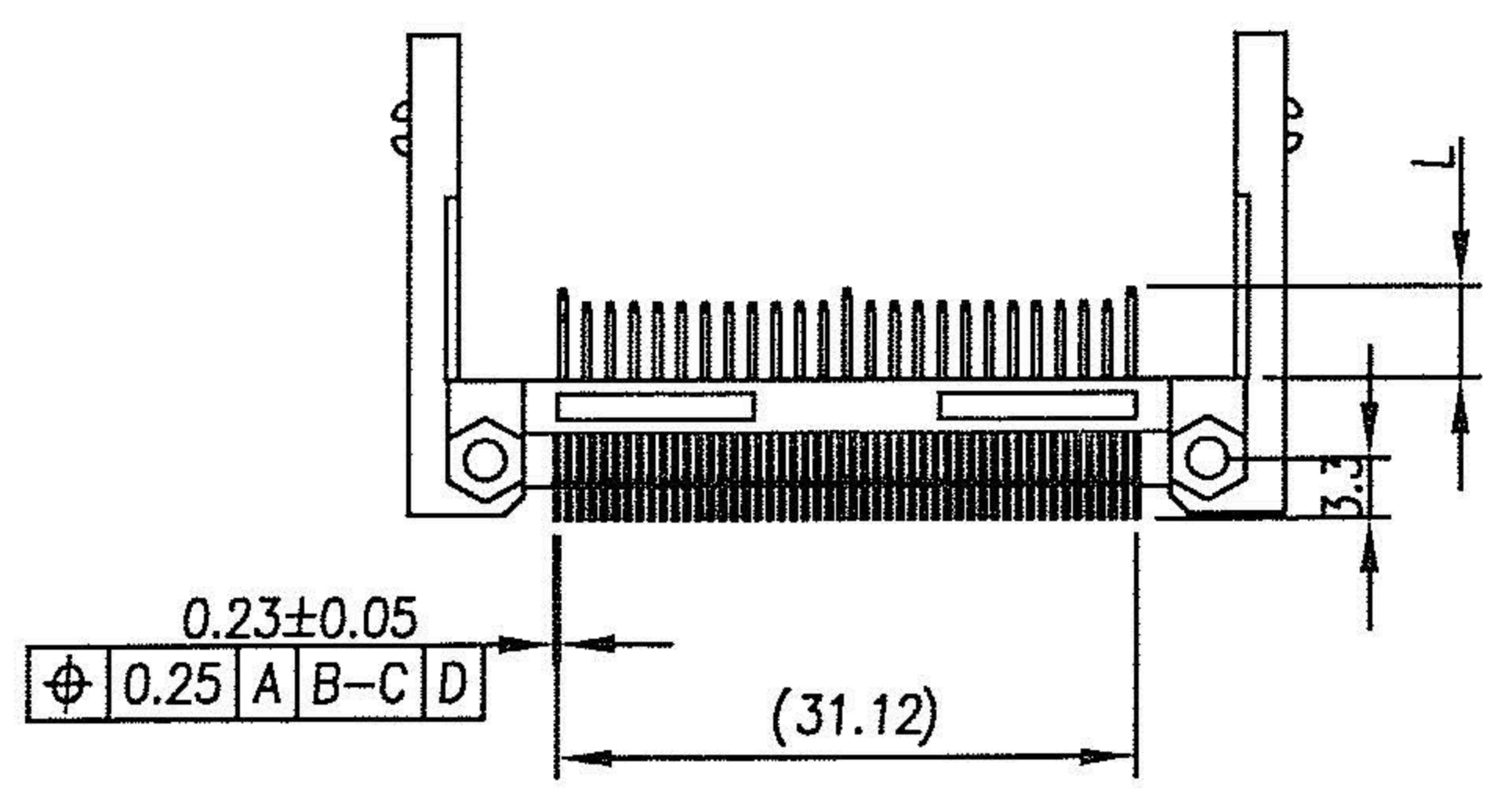
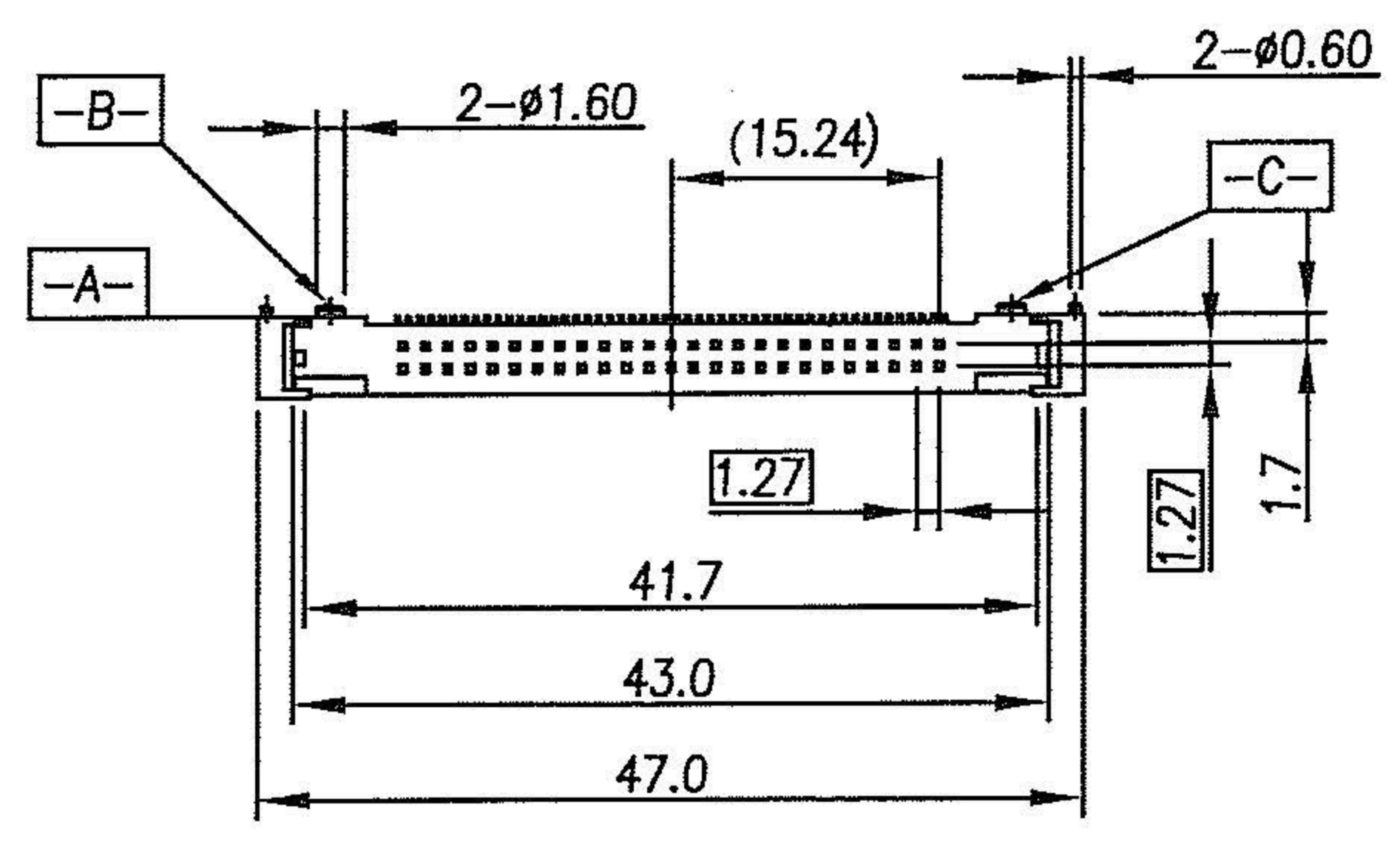


1 2 3 4 5 6 7 8

Pin Type	DIM L	Pin Type	REV	MODIFICATION	DATE	DRAW
Detect	3.5 mm	25,26	F	EN-05-0116	2005/01/11	TONY
General	4.25 mm	All Other Pins	G	EN-10-0416	2010/04/08	TONY
Power	5.0 mm	1,13,38,50	H	EN-11-1105	2011/11/09	CHRIS

F  
E  
D  
C  
B  
A



DIMENSION IN mm [Inch]		PROD. SPEC.		
TOLERANCE UNLESS OTHERWISE SPECIFIED		PKG. SPEC. PPP-CFC-006	CF CARD CONN. TYPE1,2	
.X±0.30	X'± 1"	APPROVE <i>Cam</i>	TITLE STAND-OFF 0.0mm NORMAL TYPE	CUSTOMER DRAWING
.XX±0.20	.X'± 0.5"	CHECK <i>Fory</i>	FILE NO. KFP-028	
.XXX±0.10	.XX'± 0.25"	DRAW <i>CHRIS</i>	SIZE A4	PROJ.  SCALE 1:1 REV H

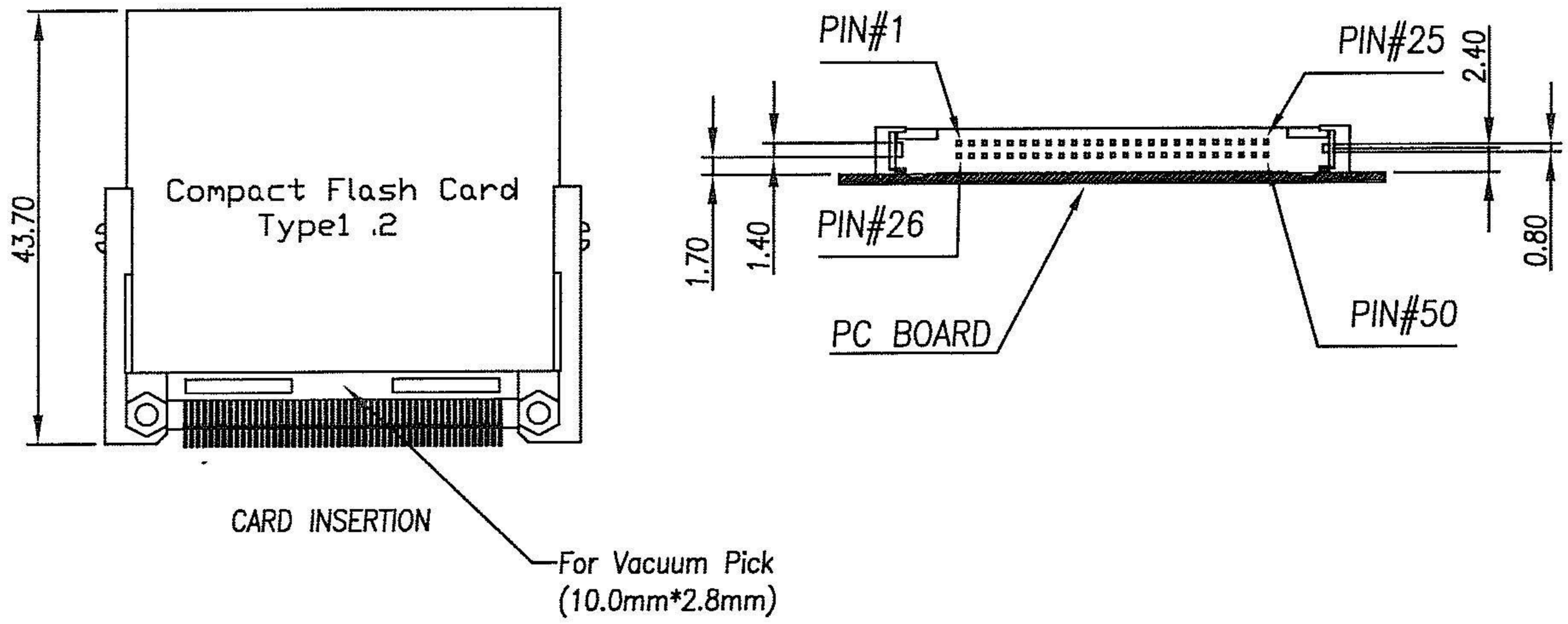
1 2 3 4 5 6 7 8

F  
E  
D  
C  
B  
A

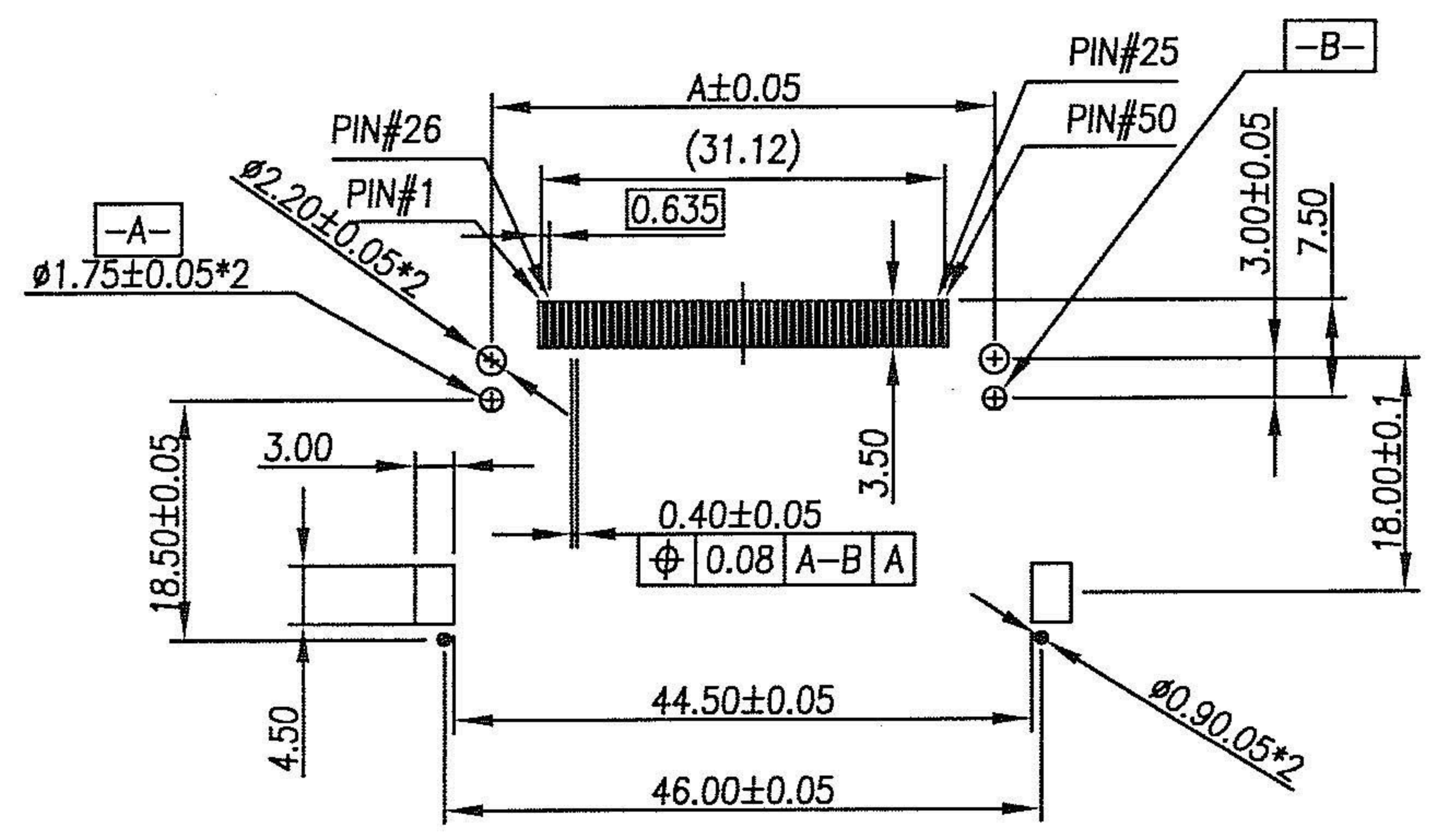
REV	MODIFICATION	DATE	DRAW
F	EN-05-0116	2005/01/11	TONY
G	EN-10-0416	2010/04/08	TONY
H	EN-11-1105	2011/11/09	CHRIS

F  
E  
D  
C  
B  
A

F  
E  
D  
C  
B  
A



Pin No. 50 Position  
T : COMPLY TO SONY SS-00259  
Color: W--White.  
0 : STANDOFF 0mm  
0-NORMAL TYPE  
Contact Area Plating:  
15--15U" Gold Plating.  
30--30U" Gold Plating.  
DIM-A  
0-38.74  
1-40.16



P.C.B Layout

SPECIFICATIONS:

HOUSING : High Temperature Plastic, UL 94V-0  
CONTACT : Copper Alloys  
VOLTAGE RATING : 100VAC  
CURRENT RATING : 0.5A  
CONTACT RESISTANCE:40 m Ohm max.  
INSULATION RESISTANCE:1000M Ohm min.  
DIELECTRIC STRENGTH : 500VAC/1min  
OPERATION TEMPERATURE : -40°C~85°C

DIMENSION IN mm [Inch]		PROD. SPEC.		
TOLERANCE UNLESS OTHERWISE SPECIFIED		PKG. SPEC. PPP-CFC-006	CF CARD CONN. TYPE1,2	CUSTOMER DRAWING
.X±0.30	X'± 1'	APPROVE <i>Chris</i>	TITLE STAND-OFF 0.0mm NORMAL TYPE	
.XX±0.20	.X'± 0.5'	CHECK <i>Tony</i>	FILE NO.	DWG NO.
.XXX±0.10	.XX'± 0.25'	DRAW <i>CHRIS</i>	SIZE A4	PROJ.  SHEET 2 / 2
			SCALE 1:1	REV H