

SPECIFICATIONS

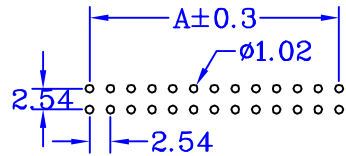
ELECTRICAL

- Contact Current Rating : 3 Amperes
- Contact Resistance : 20 mΩ Max
- Insulator Resistance : 5,000 MΩ Min
- Dielectric Withstanding Voltage : AC 1000 V RMS 60 Seconds

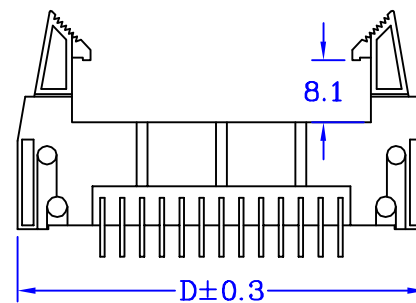
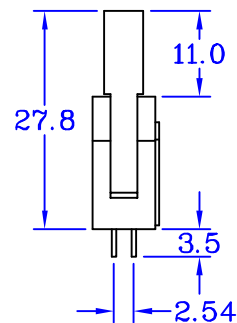
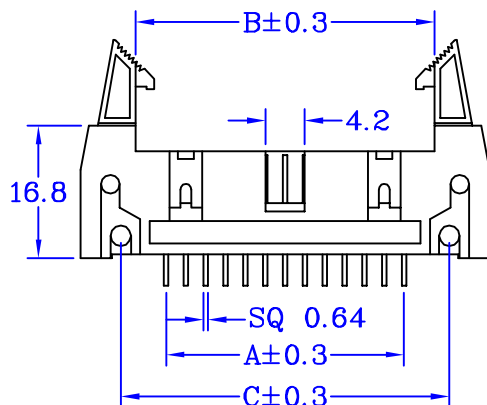
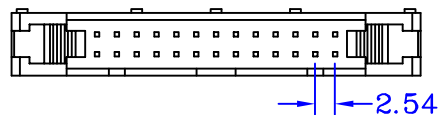
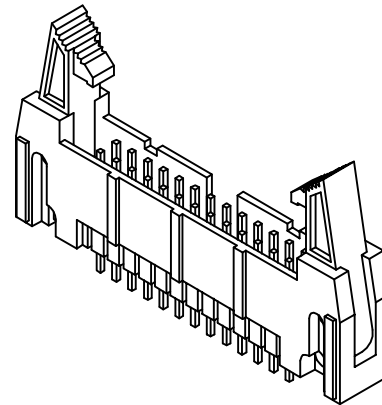
MATERIAL

- Insulator : PBT , UL 94V-0
- Contact : Brass
- Contact Plated : Gold Plated (Standard)

Operation Temperature : - 40°C to + 105°C



PCB LAYOUT



CONTACTS	DIMENSION			
	A	B	C	D
10	10.16	17.96	21.84	32.00
12	12.70	20.50	24.38	34.54
14	15.24	23.04	26.92	37.08
16	17.78	25.58	29.46	39.62
20	22.86	30.33	34.54	44.70
24	27.94	35.74	39.62	49.78
26	30.48	38.28	42.16	52.32
30	35.56	43.36	47.24	57.40
34	40.64	48.44	52.32	62.48
40	48.26	56.06	59.94	70.10
50	60.96	68.76	72.64	82.80
60	73.66	81.46	85.34	95.50
64	78.74	86.54	90.42	100.58

UNIT: mm