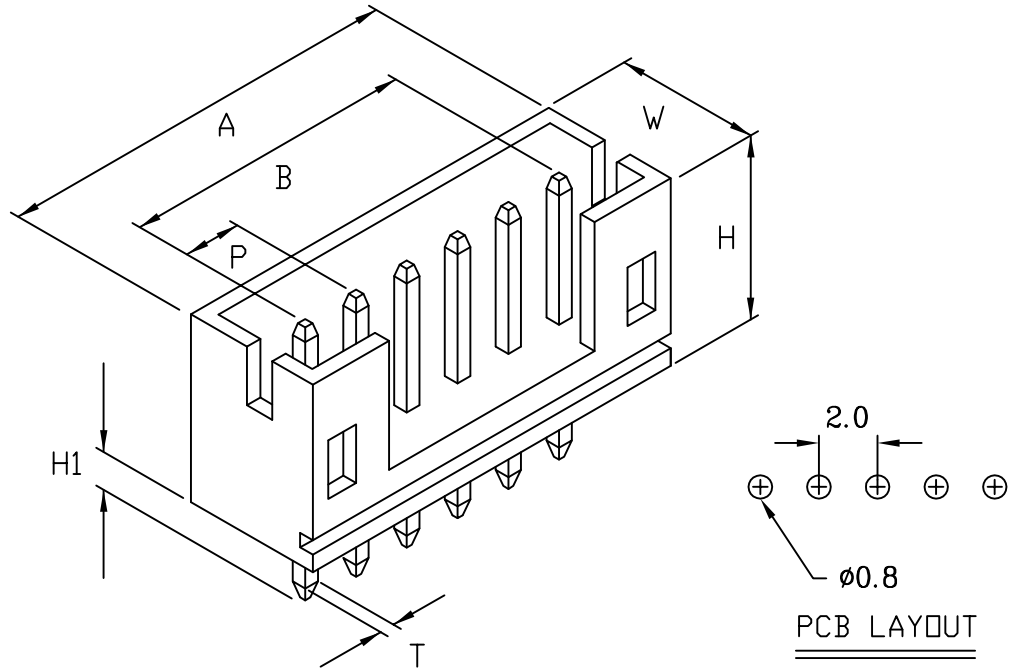


成品製造管制圖

DRAWING OF FINISHED PRODUCTS

禁止使用1級環境管理物質
Non-use Warranty for Level 1
Prohibited Substances in Product.

Pich 2.0mm
間距 (.079")



產品編號 Part No:

品名 Product: 塑膠公座 - DIP CONNECTOR - DIP
材質 Material: Housing: NYLON 94V-0
Contact Pin: Brass, Tin plated.

DIMENSION:(MM)

T: 0.5 ± 0.03
P: 2.0 ± 0.1
H: 6.0 ± 0.2
H1: 3.0 ± 0.3
W: 4.6 ± 0.2

PIN	A ± 0.3	B ± 0.2
2	6.0	2.0
3	8.0	4.0
4	10.0	6.0
5	12.0	8.0
6	14.0	10.0
7	16.0	12.0
8	18.0	14.0
9	20.0	16.0
10	22.0	18.0
11	24.0	20.0
12	26.0	22.0

額定電壓/電流 Current Rating:

AC/DC 250V 3A(22~28AWG#)

絕緣阻抗 INS. Resistance: 1000M Ω Min.

耐電壓 Withstand Voltage: 800V AC/1minute.

適用溫度 Operation Temp: $-25^{\circ}\text{C} \sim +85^{\circ}\text{C}$

顏色 Colour: 本色 (Natural)

* 本成品圖僅供參考, 若需做為承認用請聯絡就近業務員確認

(The drawing is for reference only, please contact the sales division nearby for final confirmation if it's for approval purpose.)