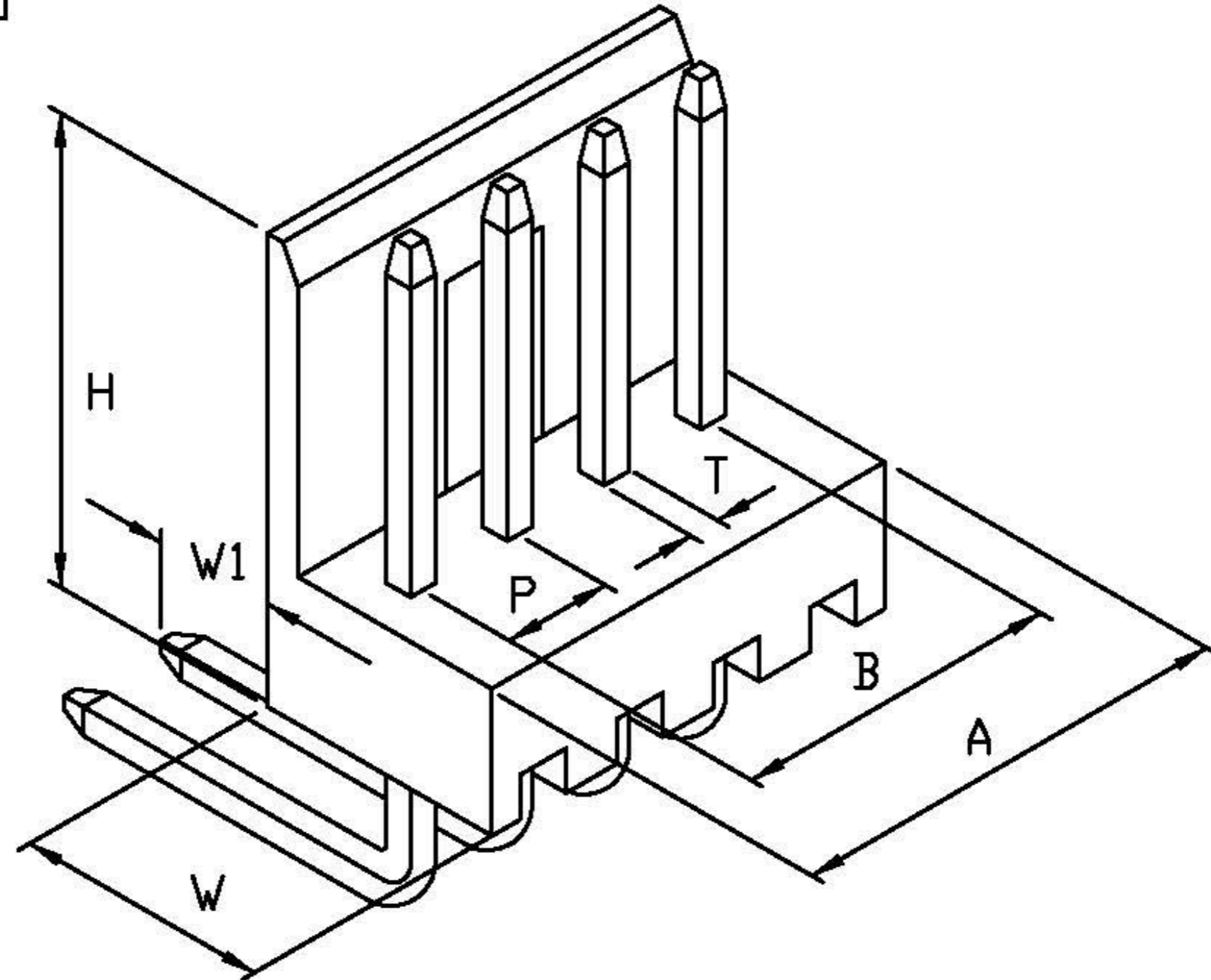


成品製造管制圖  
DRAWING OF FINISHED PRODUCTS

禁止使用1級環境管理物質  
Non-use Warranty for Level 1  
Prohibited Substances in Product.

Pich 2.5mm  
間距 (.098")



產品編號 Part No:  
品名 Product: 塑膠公座 - DIP CONNECTOR - DIP  
材質 Material: Housing: NYLON 94V-2  
Contact Pin: Brass, Tin plated.

DIMENSION (MM)  
T:  $0.64 \pm 0.1$   
P:  $2.5 \pm 0.1$   
W:  $5.1 \pm 0.2$   
W1:  $3.3 \pm 0.3$   
H:  $10.6 \pm 0.3$

PIN	A $\pm 0.3$	B $\pm 0.2$
2R	5.0	2.5
3R	7.5	5.0
4R	10.0	7.5
5R	12.5	10.0
6R	15.0	12.5
7R	17.5	15.0
8R	20.0	17.5
9R	22.5	20.0
10R	25.0	22.5
11R	27.5	25.0
12R	30.0	27.5

額定電壓/電流 Current Rating:  
AC/DC 250V 3A (20~24AWG#)  
絕緣阻抗 INS. Resistance: 1000M $\Omega$  Min.  
耐電壓 Withstand Voltage: 800V AC/1minute.  
適用溫度 Operation Temp:  $-25^{\circ}\text{C} \sim +85^{\circ}\text{C}$   
顏色 Colour: 本色 (Natural)

\* 本成品圖僅供參考, 若需做為承認用請聯絡就近業務員確認  
(The drawing is for reference only,  
please contact the sales division nearby for final confirmation if it's for approval purpose.)