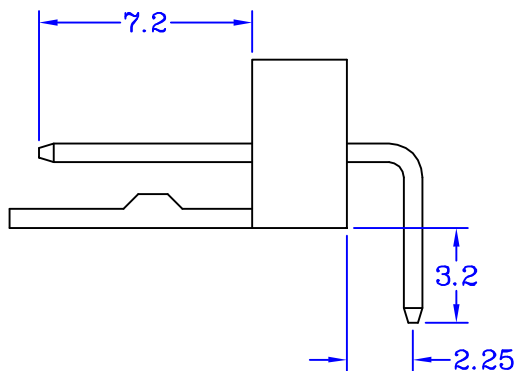
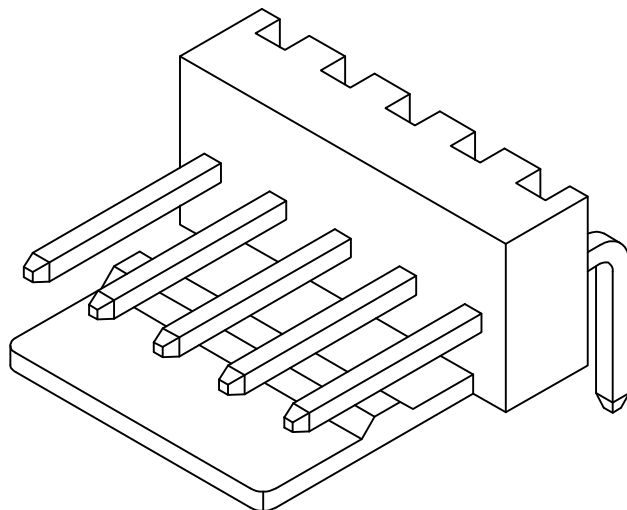
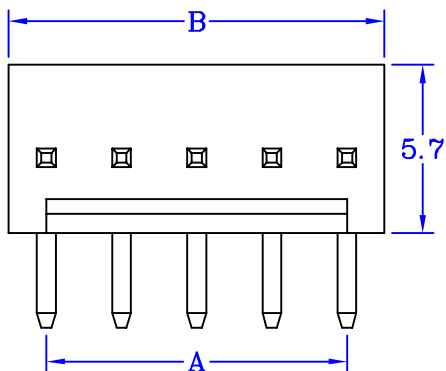
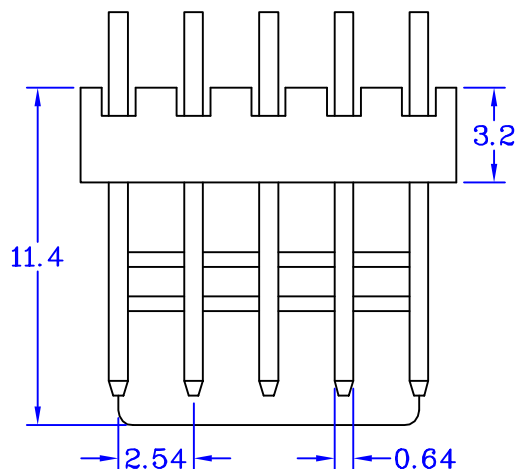


PCB LAYOUT



SPECIFICATIONS

ELECTRICAL

- Contact Current Rating : 3 Amperes AC/DC
- Contact Resistance : 20 mΩ Max
- Insulator Resistance : 1000 MΩ Min
- Dielectric Withstanding Voltage : 1000V AC RMS 60 Seconds
- Voltage Rating : 250V AC/DC

MATERIAL

- Insulator : Nylon 66 UL94V-2
 - Contact : Brass
 - Contact Plated : Tin Plated
- Operation Temperature : - 25°C to + 85°C

CONTACTS	DIMENSIONS	
	A	B
2	2.54	5.08
3	5.08	7.62
4	7.62	10.16
5	10.06	12.70
6	12.70	15.24
7	15.24	17.78
8	17.78	20.32
9	20.32	22.86
10	22.86	25.40
11	25.40	27.94
12	27.94	30.48
13	30.48	33.02
14	33.02	35.56
15	35.56	38.10

UNIT: mm

繪圖	DRAWN BY FUFU	日期	DATE 2011/03/31
核對	CHECKED BY WENDY	比例	SCALE 1:1

DRAWING NO. MCN-1008-0004