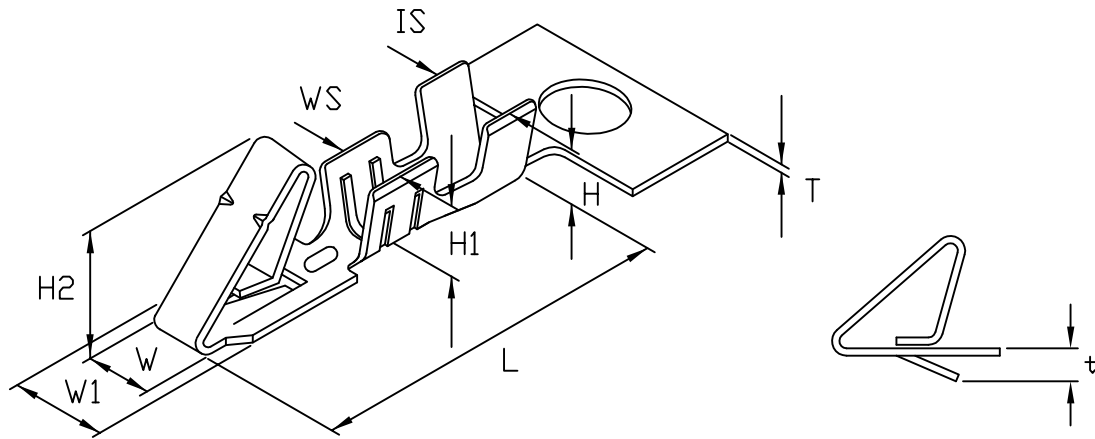


成品製造管制圖

DRAWING OF FINISHED PRODUCTS

禁止使用1級環境管理物質  
Non-use Warranty for Level 1  
Prohibited Substances in Product.

Pich 2.54mm  
間距 (.100")



產品編號 Part No: MCN-3101-0005  
品名 Product: 端子 TERMINAL  
材質 Material: Brass/Phos  
材料厚度 Thickness: 0.20mm  
包裝數量 Standard Packing: 10000PCS  
適用電線 Suitable Wire: 24~28AWG

DIMENSION:(MM)

T:0.2 ± 0.03

L:9.7 ± 0.25

W:1.3 ± 0.1

W1:1.95 ± 0.1

IS:2.2 ± 0.3

WS:1.9 ± 0.3

H:1.9 ± 0.25

H1:1.6 ± 0.25

H2:3.0 ± 0.5

t:0.9 ± 0.25

表面處理 Treatment: -0 無表面處理, -00 鍍金, -1 鍍鎳, -2 鍍錫  
(-0 Non surface treatment  
, -00 Gold flash, -1 Nickel played, -2 Tin plated)

\* 本成品圖僅供參考, 若需做為承認用請聯絡就近業務員確認  
(The drawing is for reference only,  
please contact the sales division nearby for final confirmation if it's for approval purpose.)