

## SPECIFICATION

### ELECTRICAL

- Contact Current Rating : 3 Amperes
- Contact Resistance : 20 mΩ Max
- Insulator Resistance : 1,000 MΩ Min
- Dielectric Withstanding Voltage : 500V AC RMS 60 Seconds

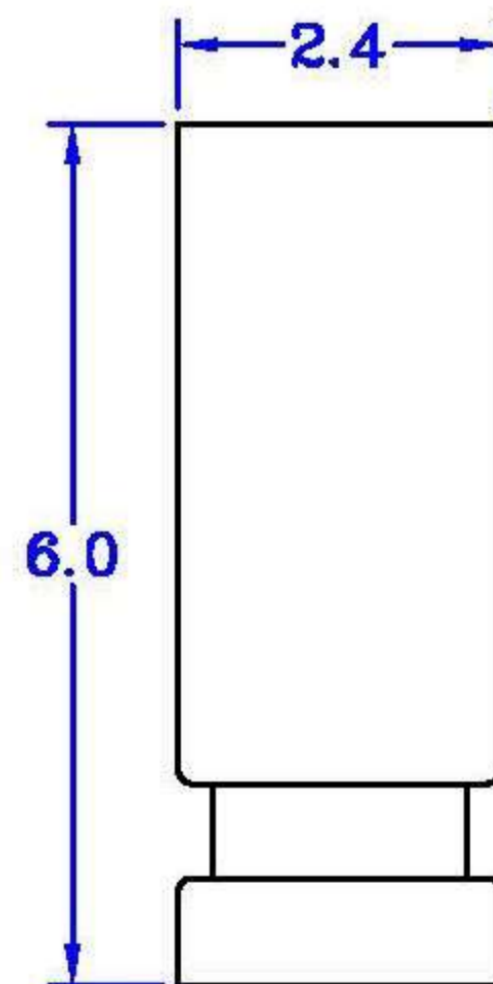
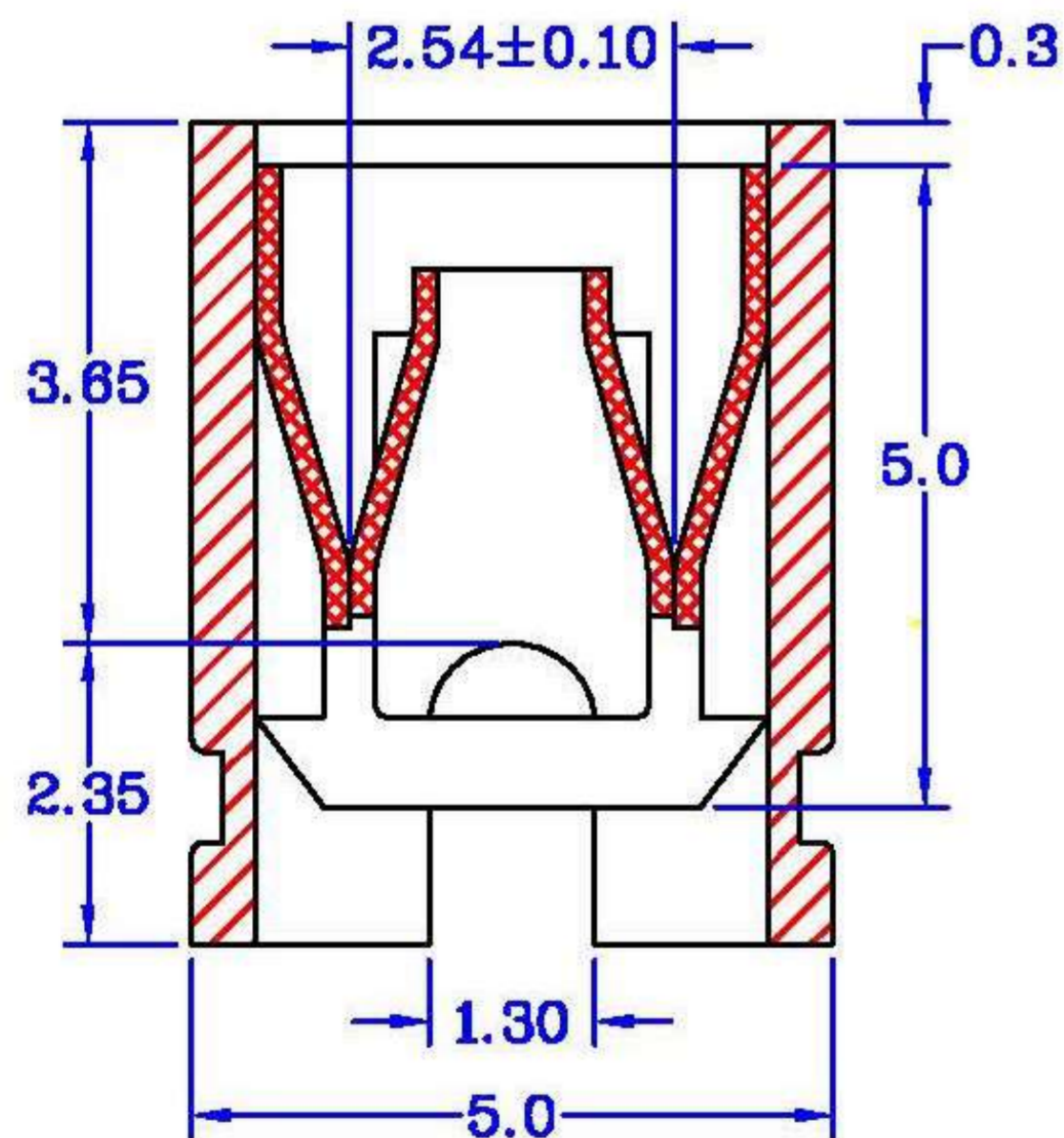
### MECHANICAL

- Contact Retention Force : 900g/Pin Min
- Insertion Force : 500g/Pin Max
- Extraction Force : 100g/Pin Min

### MATERIAL

- Insulator : PBT, UL94V-0
- Contact : Brass
- Contact Plated : Gold Plated , Tin Plated

Operation Temperature : - 45°C to + 105°C



UNIT: mm