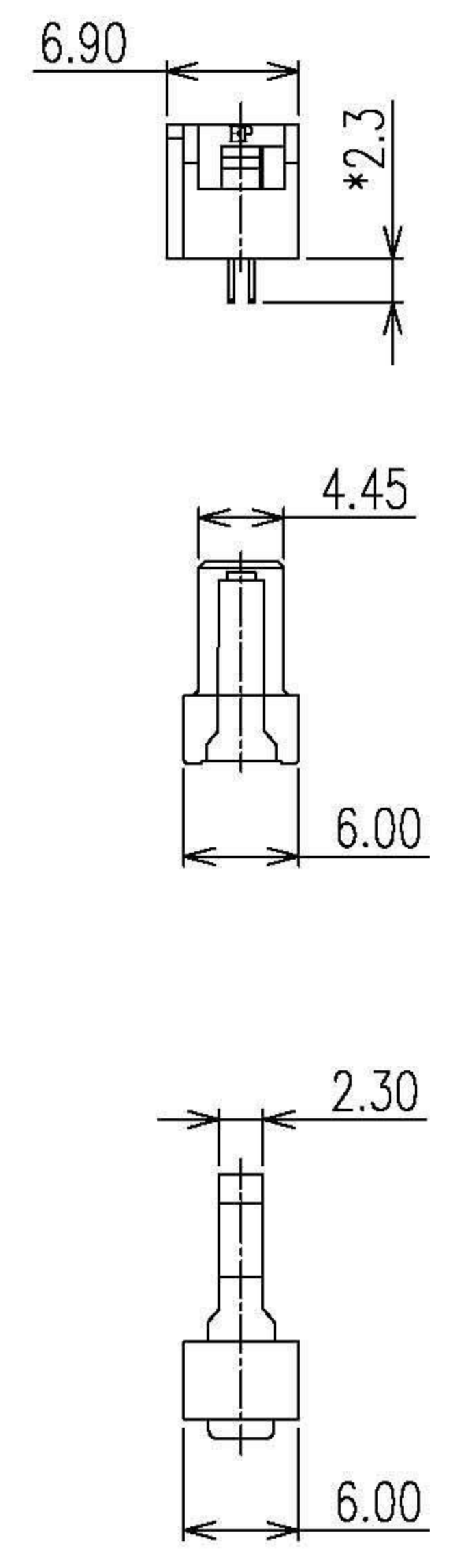
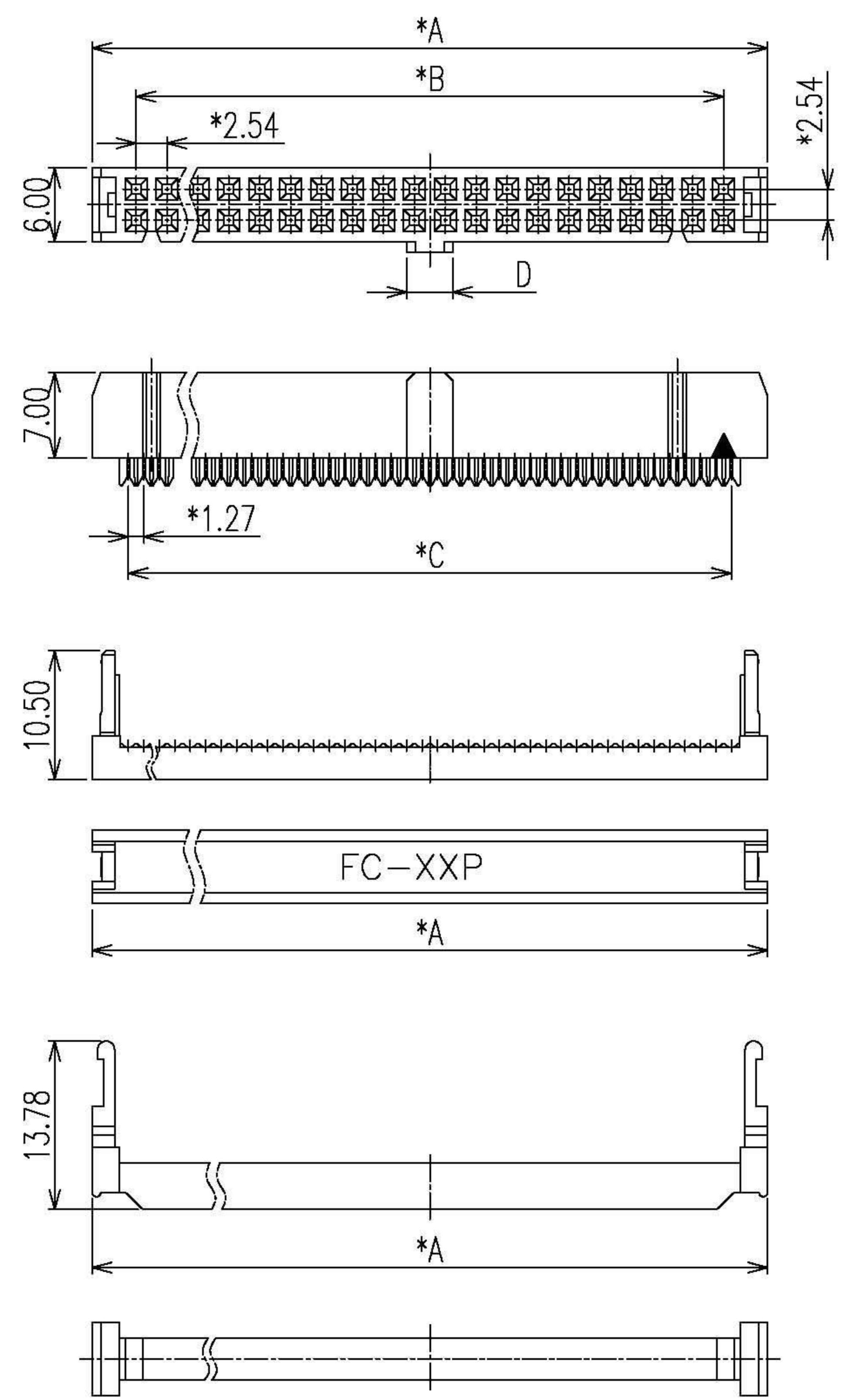


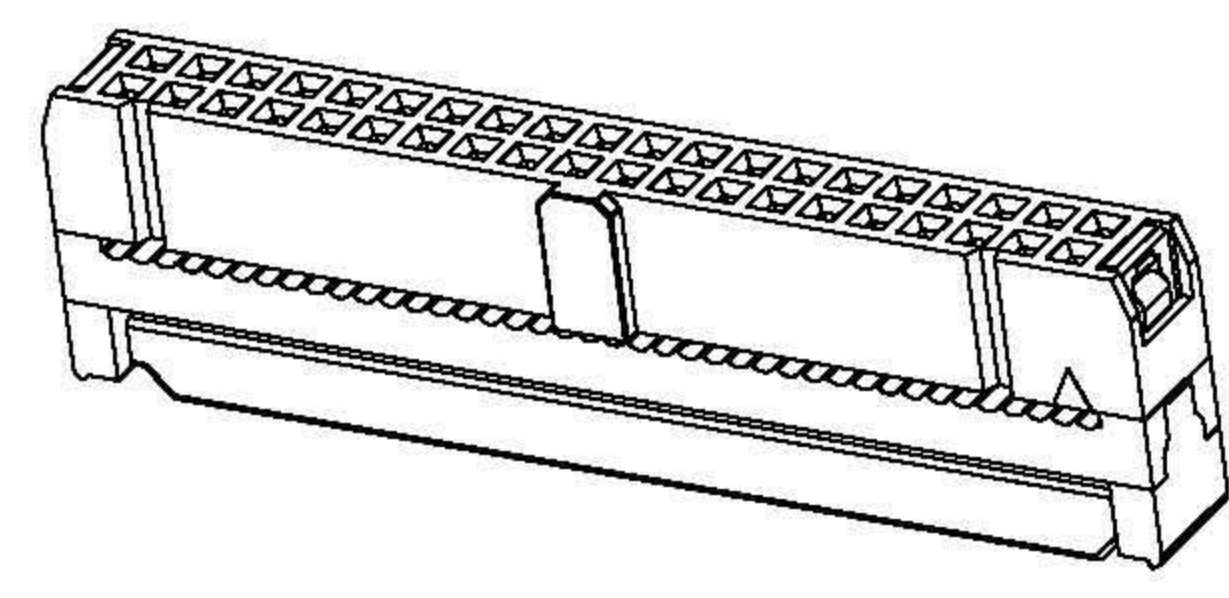
REV.	ECN NO.	DESCRIPTION	DATE
A	RELEASE	黃培廣	2010-05-31



Specifications:  
 Current Rating: 1.0 Amp  
 Contact resistance: 30m Ohm Max. at 6V DC 0.3A  
 Insulator resistance: 1000M ohm min. at 500V DC  
 Withstanding Voltage: 500V AC/Minute  
 Operating Temperature Range: -40°~+105°C  
 Wire Size Flat Cable I.D.C: 1.27mm Pitch  
 AWG#28(standard 0.20mm) OR #30 (0.17mm).  
 Material And Finish  
 Insulator: PBT&Glass-fiber reinforced UL94V-0  
 Insulator Color: Black or Gray  
 Contact: Phosphor Bronze or Brass  
 Contact Plating: See Contact Plating Tab.  
 Note: (\*)Marked is Important DIM For QC.

How To Order  
 2540-XX X XX X X  
 See No. of \_\_\_\_\_ Positions Tab.  
 Terminal Material \_\_\_\_\_  
 P: Phosphor Bronze  
 B: Brass  
 Insulator Color  
 B: Black  
 G: Gray  
 Special function  
 Y: W/N Relief  
 N: W/O Relief  
 Contact Plated

Gold Plated		
Code	Contact Area	Other Area
GF	Gold Flash	Nickel
G1	Gold 3u"	Nickel
G2	Gold 5u"	Nickel
G3	Gold 10u"	Nickel
G4	Gold 15u"	Nickel
G5	Gold 20u"	Nickel
G6	Gold 30u"	Nickel



No. of Positions

No.	A	B	C	D	No.	A	B	C	D	No.	A	B	C	D
06	12.30	5.08	6.35	3.80	20	30.08	22.86	24.13	3.80	40	55.48	48.26	49.53	3.80
08	14.84	7.62	8.89	3.80	24	35.16	27.94	29.21	3.80	44	60.56	53.34	54.61	3.80
10	17.38	10.16	11.43	3.80	26	37.70	30.48	31.75	3.80	48	65.64	58.42	59.69	3.80
12	19.92	12.70	13.97	3.80	30	42.78	35.56	36.83	3.80	50	68.18	60.96	62.23	3.80
14	22.46	15.24	16.51	3.80	32	45.32	38.10	39.37	3.80	60	80.88	73.66	74.93	3.80
16	25.00	17.78	19.05	3.80	34	47.86	40.64	41.91	3.80	64	85.96	78.74	80.01	3.80
18	27.54	20.32	21.59	3.80	36	50.40	43.18	44.45	3.80					

GENERAL			ANGLE		TITLE:		APPROVE:	
.X ± 0.35			X.* ± 5.0°		2540 2.54mm Pitch		CHECK:	
.XX ± 0.25			.X* ± 3.0°		IDC Type Socket Series		DRAW: 黃培廣	
.XXX ± 0.10			.XX* ± 2.0°		PART NO.: 2540-XXXXXXX		SCALE: 1:1	
					DWG NO.: JLA100531-001		UNIT: mm	
					SHEET: 1/1			