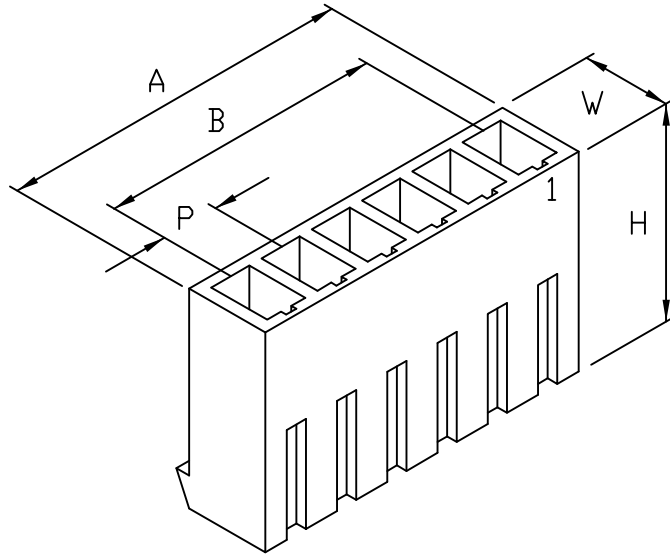


成品製造管制圖

DRAWING OF FINISHED PRODUCTS

禁止使用1級環境管理物質
Non-use Warranty for Level 1
Prohibited Substances in Product.

Pich 3.96mm
間距 (.156")



產品編號 Part No:

品名 Product: 塑膠母座 - HOUSING

材質 Material: Housing: NYLON 94V-2

DIMENSION:(MM)

P:3.96 ± 0.1

W:6.4 ± 0.2

H:15.9 ± 0.3

額定電壓/電流 Current Rating:

AC/DC250V 10A(18~24AWG#)

絕緣阻抗 INS. Resistance: 1000M Ω Min.

耐電壓 Withstand Voltage: 1000V AC/1minute.

適用溫度 Operation Temp: -25°C~+85°C

顏色 Colour: 本色 (Natural)

PIN	A±0.3	B±0.2
2	8.50	3.96
3	12.46	7.92
4	16.42	11.88
5	20.38	15.84
6	24.34	19.80
7	28.50	23.76
8	32.50	27.72
9	36.50	31.68
10	40.50	35.64
11	44.14	39.60
12	48.10	43.56

* 本成品圖僅供參考, 若需做為承認用請聯絡就近業務員確認

(The drawing is for reference only,

please contact the sales division nearby for final confirmation if it's for approval purpose.)