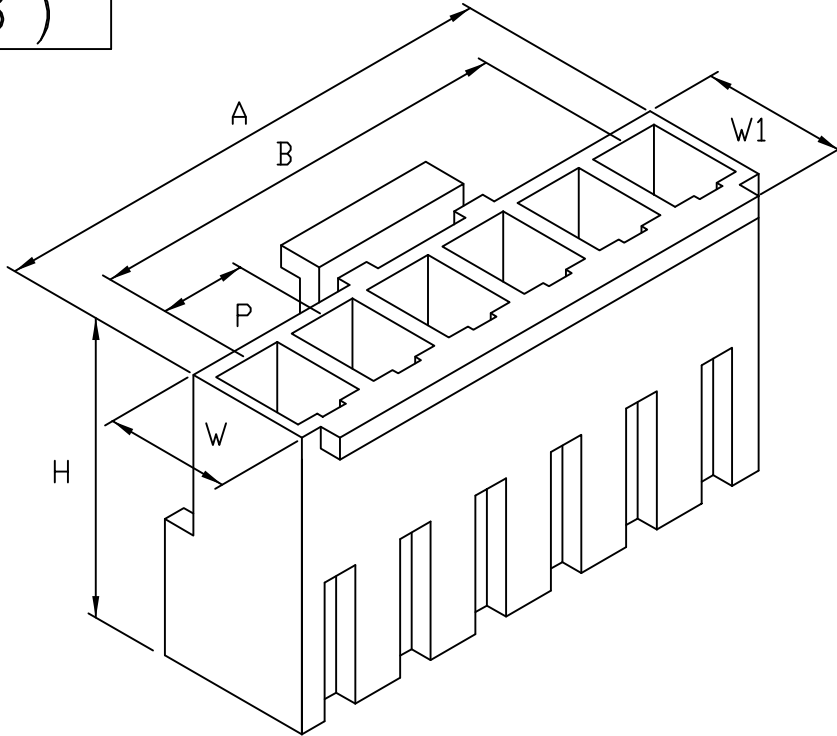


成品製造管制圖

DRAWING OF FINISHED PRODUCTS

禁止使用1級環境管理物質
Non-use Warranty for Level 1
Prohibited Substances in Product.

Pich 3.96mm
間距 (.156")



產品編號 Part No: MCN-1009-0192
品名 Product: 塑膠母座 - HOUSING
材質 Material: Housing: NYLON 94V-0

DIMENSION:(MM)

P:3.96 ± 0.1
W:5.8 ± 0.2
W1:6.7 ± 0.3
H:13.5 ± 0.3

PIN	A±0.3	B±0.2
2	8.15	3.96
3	12.11	7.92
4	16.07	11.88
5	20.03	15.84
6	23.99	19.80
7	27.95	23.76
8	31.91	27.72
9	35.87	31.68
10	39.83	35.64
11	43.79	39.60
12	47.75	43.56
13	51.71	47.52
14	55.67	51.48
15	59.63	55.44
16	63.59	59.40

額定電壓/電流 Current Rating:
AC/DC250V 7A(18~22AWG#)
絕緣阻抗 INS. Resistance: 1000M Ω Min.
耐電壓 Withstand Voltage: 1500V AC/1minute.
適用溫度 Operation Temp: -25°C~+85°C
顏色 Colour: 本色 (Natural)

* 本成品圖僅供參考, 若需做為承認用請聯絡就近業務員確認
(The drawing is for reference only,
please contact the sales division nearby for final confirmation if it's for approval purpose.)