

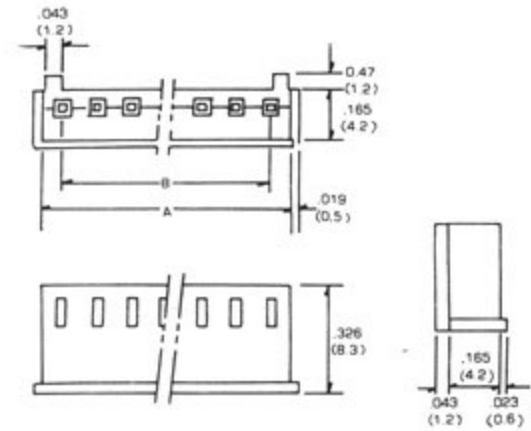
# 7225-2.5MM PITCH CONNECTOR, TERMINAL

## Specification:

- Circuits: 2-20
- Voltage rating: AC 250V, DC 350V
- Current rating: AC, DC, 2A
- Withstand voltage: 1,000V AC/minute
- Insulation resistance: 1,000MΩ min.
- Temperature range: -25°C~+85°C
- Contact resistance: Initial Value/10mΩ min.  
After environmental testing/20mΩ max.

## HOUSING

**Material:**  
UL 94V-0  
Nylon 66

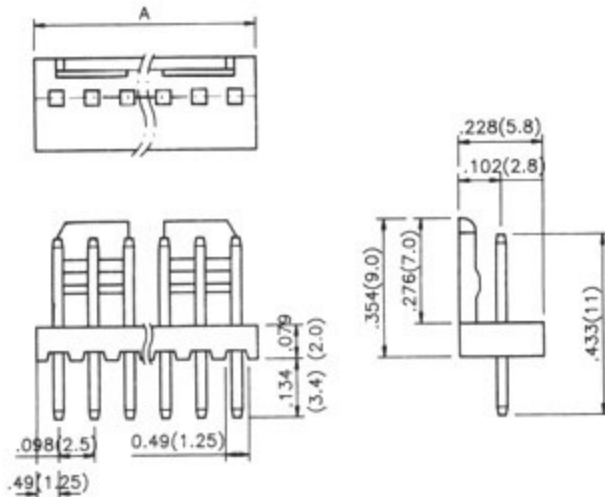


Circuits	Part No.	Dimensions in. (mm)	
		A	B
2	7225-H2	.218 (5.54)	.098 (2.50)
3	7225-H3	.317 (8.04)	.197 (5.00)
4	7225-H4	.415 (10.54)	.295 (7.50)
5	7225-H5	.516 (13.10)	.394 (10.00)
6	7225-H6	.612 (15.54)	.492 (12.50)
7	7225-H7	.710 (18.04)	.591 (15.00)
8	7225-H8	.809 (20.54)	.689 (17.50)
9	7225-H9	.907 (23.04)	.787 (20.00)
10	7225-H10	1.006 (25.54)	.886 (22.50)
11	7225-H11	1.104 (28.04)	.984 (25.00)

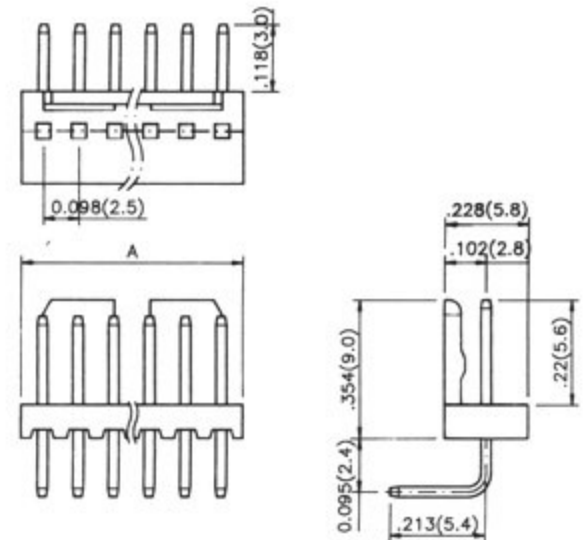
Circuits	Part No.	Dimensions in. (mm)	
		A	B
12	7225-H12	1.202 (30.54)	1.083(27.50)
13	7225-H13	1.301 (33.04)	1.181 (30.00)
14	7225-H14	1.399 (35.54)	1.280 (32.50)
15	7225-H15	1.498 (38.04)	1.378 (35.00)
16	7225-H16	1.596 (40.54)	1.476 (37.50)
17	7225-H17	1.694 (43.04)	1.575 (40.00)
18	7225-H18	1.793 (45.54)	1.673 (42.50)
19	7225-H19	1.891 (48.04)	1.772 (45.00)
20	7225-H20	1.990 (50.54)	1.870 (47.50)

## WAFER

### Straight



### Right Angle



Circuits	Part No.		Dimensions in. (mm)	
	Straight	Right Angle	A	B
2	7225-PV2	7225-PR2	.197 (5.00)	.098 (2.50)
3	7225-PV3	7225-PR3	.295 (7.50)	.197 (5.00)
4	7225-PV4	7225-PR4	.394 (10.00)	.295 (7.50)
5	7225-PV5	7225-PR5	.492 (12.50)	.394 (10.00)
6	7225-PV6	7225-PR6	.591 (15.00)	.492 (12.50)
7	7225-PV7	7225-PR7	.689 (17.50)	.591 (15.00)
8	7225-PV8	7225-PR8	.787 (20.00)	.689 (17.50)
9	7225-PV9	7225-PR9	.886 (22.50)	.787 (20.00)
10	7225-PV10	7225-PR10	.984 (25.00)	.886 (22.50)
11	7225-PV11	7225-PR11	1.083 (27.50)	.984 (25.00)

Circuits	Part No.		Dimensions in. (mm)	
	Straight	Right Angle	A	B
12	7225-PV12	7225-PR12	1.181 (30.00)	1.083 (27.50)
13	7225-PV13	7225-PR13	1.280 (32.50)	1.181 (30.00)
14	7225-PV14	7225-PR14	1.378 (35.00)	1.280 (32.50)
15	7225-PV15	7225-PR15	1.476 (37.50)	1.378 (35.00)
16	7225-PV16	7225-PR16	1.575 (40.00)	1.476 (37.50)
17	7225-PV17	7225-PR17	1.673 (42.50)	1.575 (40.00)
18	7225-PV18	7225-PR18	1.772 (45.00)	1.673 (42.50)
19	7225-PV19	7225-PR19	1.870 (47.50)	1.772 (45.00)
20	7225-PV20	7225-PR20	1.969 (50.00)	1.870 (47.50)

## TERMINAL

PART NO: 7225-BS2

Applicable wire	Material	Finish	Thickness	Q'Ty/reel
28-22 AWG	Phos, brooze	Tin-plated	0.2mm	10,000pcs

